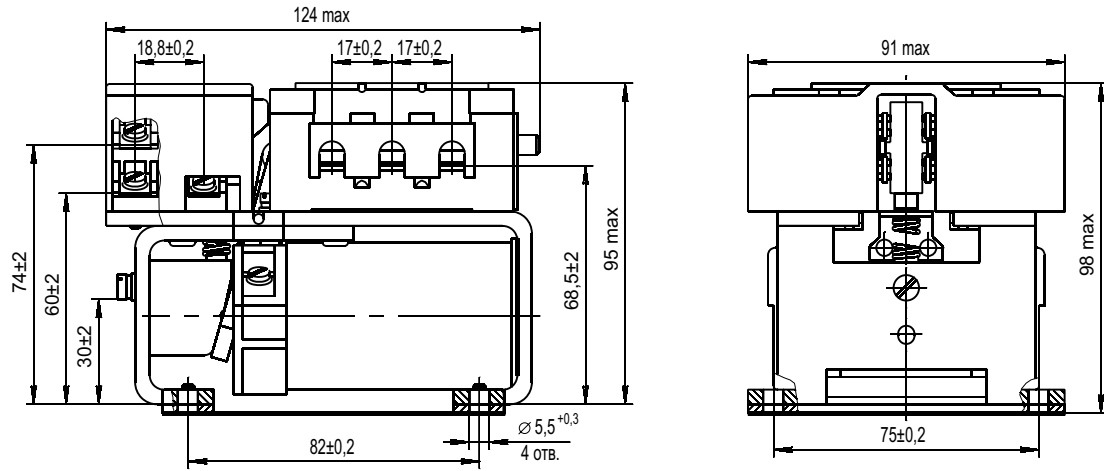
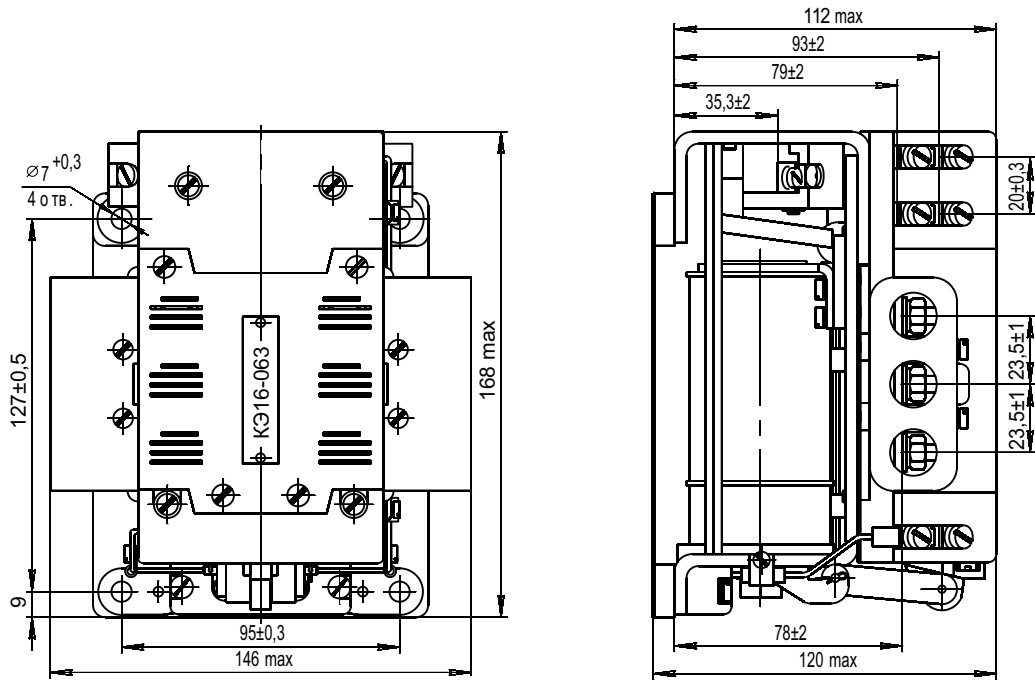


KE16-025XXXV3



KE16-063XXXV3



KE16-100XXXV3

