



REMOTELY OPERATED CIRCUIT BREAKERS A SERIES

ТУ 16-522.153-81

Remotely operated circuit breakers are intended:

- for protection of equipment during overload in DC path;
- for switching of electrical circuits: DC and AC (frequency from 400 to 1000 Hz) - circuit breakers A-0,5P, A-0,5M, A-1P, A-1M, A-2P, A-2M, A-14P, A-14M, A-25P, A-25M, A-35PA, A-35MA, A-50PA, A-50MA; DC - circuit breakers A-5P, A-5M, A-5VP, A-5VM, A-7,5P, A-7,5M, A-7,5VP, A-7,5VM, A-10P, A-10M, A-10VP, A-10VM, A-35P, A-35M, A-35VP, A-35VM, A-50P, A-50M, A-50VP, A-50VM ;

- for automatic disconnection of equipment if operating voltage is simultaneously present on the windings closing and opening coils.

Technical Data

Type	Rated current, A	Number and type of contacts					Aux. power connection
		main circuit		auxiliary circuit			
		closing	opening	closing	opening	switching	
1	2	3	4	5	6	7	8
A-0,5P	0,5						positive common
A-1P	1	4	-	2	2	-	
A-2P	2						
A-5P	5						
A-7,5P	7,5	4	-	-	-	2	
A-10P	10						
A-14P	14	4	2	2	2	-	
A-25P	25						
A-35PA	35	4	-	2	2	-	
A-50PA	50						
A-35P	35	2	2	2	2	-	negative common
A-50P	50						
A-0,5M	0,5						
A-1M	1	4	-	2	2	-	
A-2M	2						
A-5M	5						
A-7,5M	7,5	4	-	-	-	2	
A-10M	10						
A-14M	14	4	2	2	2	-	
A-25M	25						
A-35MA	35	4	-	2	2	-	positive common and time delay for tripping due to overload
A-50MA	50						
A-35M	35	2	2	2	2	-	
A-50M	50						
A-5VP	5						
A-7,5VP	7,5	4	-	-	-	2	
A-10VP	10						
A-35VP	35	2	2	2	2	-	
A-50VP	50						
A-5BM	5						
A-7,5VM	7,5	4	-	-	-	2	
A-10VM	10						
A-35M	35	2	2	2	2	-	
A-50VM	50						

Auxiliary circuit rated current 2A for all devices.

Auxiliary supply voltage for windings 27^{+9}_{-4} V DC.

Pickup voltage, max., 20 V.

Pickup current for current elements:

A-0,5П (M)	0.85 – 1.1 A	A-14П (M)	23.8 – 30.8 A
A-1П (M)	1.7 – 2.2 A	A-25П (M)	42.5 – 55.0 A
A-2П (M)	3.4 – 4.4 A	A-35ПА (MA)	59.5 – 77.0 A
A-5П (M)	8.5 – 11.5 A	A-50ПА (MA)	85.0 – 110.0 A
A-5ВП (BM)			
A-7,5П (M)	12.75 – 17.25A	A-35П (M)	59.5 – 80.5 A
A-7,5ВП (BM)			
A-10П (M)	17.0 – 23.0 A	A-50П (M)	85.0 – 115.0 A
A-10ВП (BM)			

Minimum switching current (main circuit):

For A-0,5-20.02 A

For other devices0.05 A

Min. switching current (aux. circuit)0.02 A for all devices.

Overall and mounting dimensions

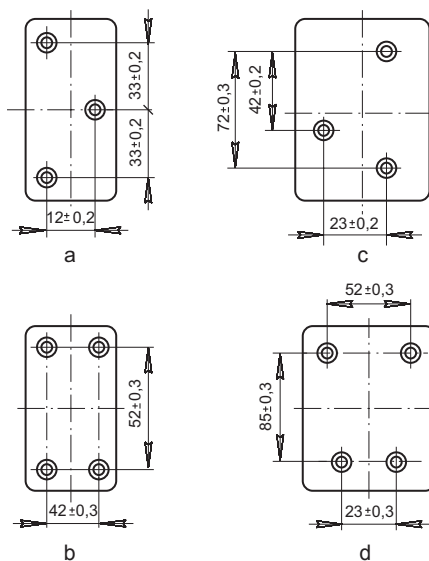
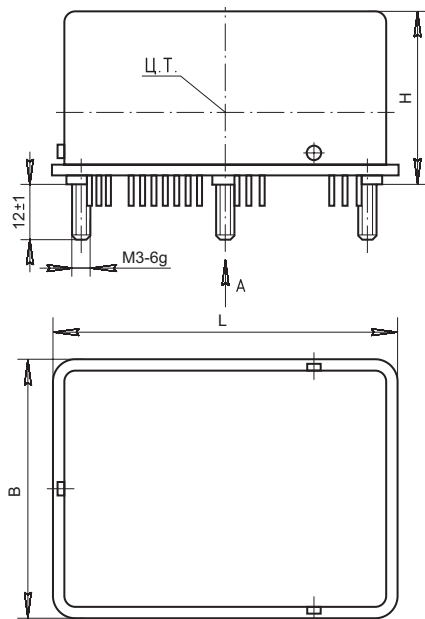


Fig. 1. Overall dimensions

Fig. 2. Mounting and connection dimensions

Type	Dimensions, mm			Section A
	Lmax	Bmax	Hmax	
A-0,5P (M) A-1P (M) A-2P (M)	76	52	36	Fig. 2a
A-14P (M) A-25P (M) A35PA (MA) A-50PA (MA)	89	73	43	Fig. 2c
A-5P (M) A-5VP (VM) A-7,5P (M) A-7,5VP (VM) A-10P (M) A-10VP (VM)	94	60	44	Fig. 2b
A-35P (M) A-35VP (VM) A-50P (M) A-50VP (VM)	117	73	46	Fig. 2d